

PRODUCT INFORMATION PACKET

marathon[®]
Motors

Model No: 215TCDW7002
Catalog No: Z412
10,3600,DP,215JM,1/60/230
JM



Regal and Marathon are trademarks of Regal Beloit Corporation or one of its affiliated companies.
©2018 Regal Beloit Corporation, All Rights Reserved. MC017097E

REGAL[®]



Nameplate Specifications

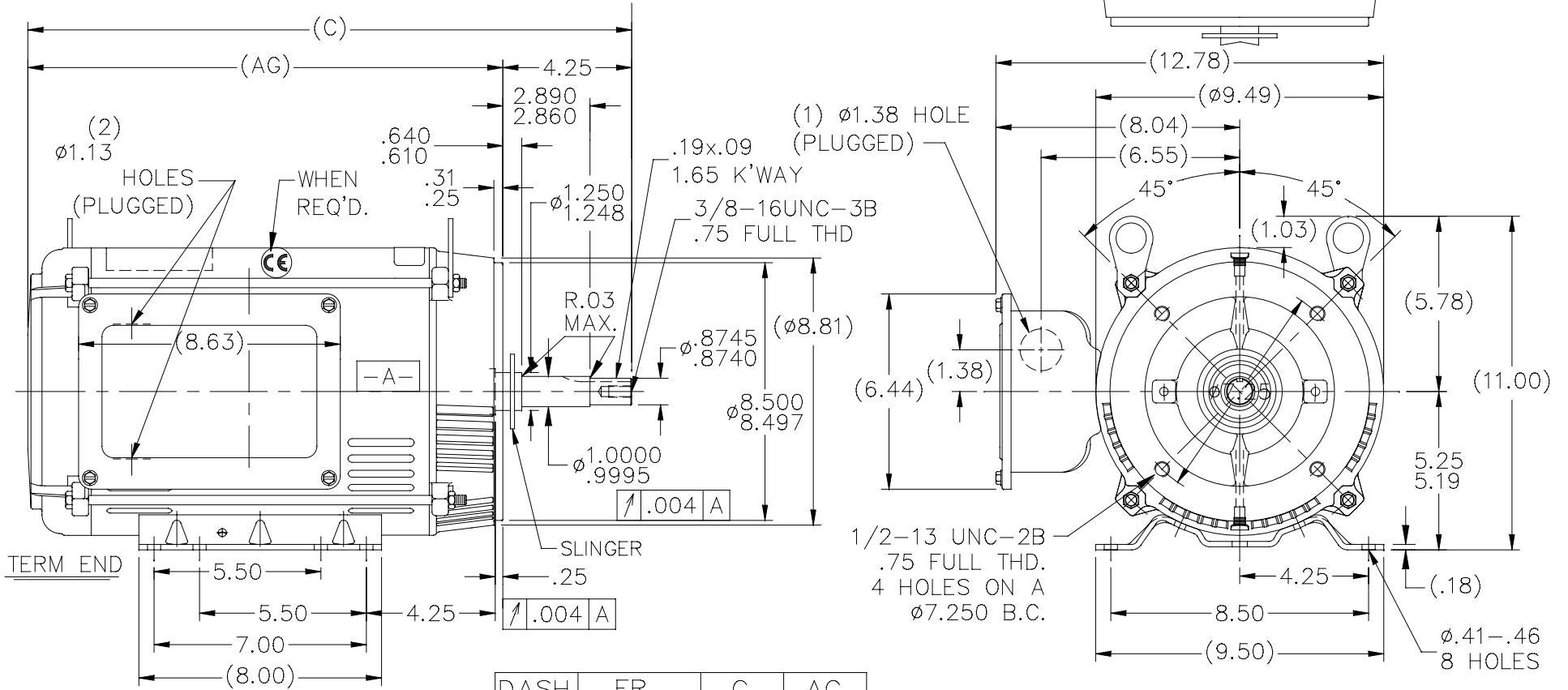
Output HP	10 Hp	Output KW	7.5 kW
Frequency	60 Hz	Voltage	230 V
Current	47.0 A	Speed	3465 rpm
Service Factor	1.15	Phase	1
Efficiency	81.5 %	Duty	Continuous
Insulation Class	B	Design Code	L
KVA Code	G	Frame	215JM
Enclosure	Drip Proof	Overload Protector	No
Ambient Temperature	40 °C	Drive End Bearing Size	6309
Opp Drive End Bearing Size	6206	UL	Recognized
CSA	Y	CE	Y
IP Code	22		

Technical Specifications

Electrical Type	Capacitor Start Induction Run	Starting Method	Across The Line
Poles	2	Rotation	Selective Counterclockwise
Mounting	Rigid base	Motor Orientation	Horizontal
Drive End Bearing	Ball	Opp Drive End Bearing	Ball
Frame Material	Rolled Steel	Shaft Type	JM
Overall Length	19.92 in	Frame Length	11.15 in
Shaft Diameter	0.875 in	Shaft Extension	4.25 in
Assembly/Box Mounting	F1 Only		
Outline Drawing	037643-1115	Connection Diagram	A-EE7090JR

This is an uncontrolled document once printed or downloaded and is subject to change without notice. Date Created: 06/29/2018

037643



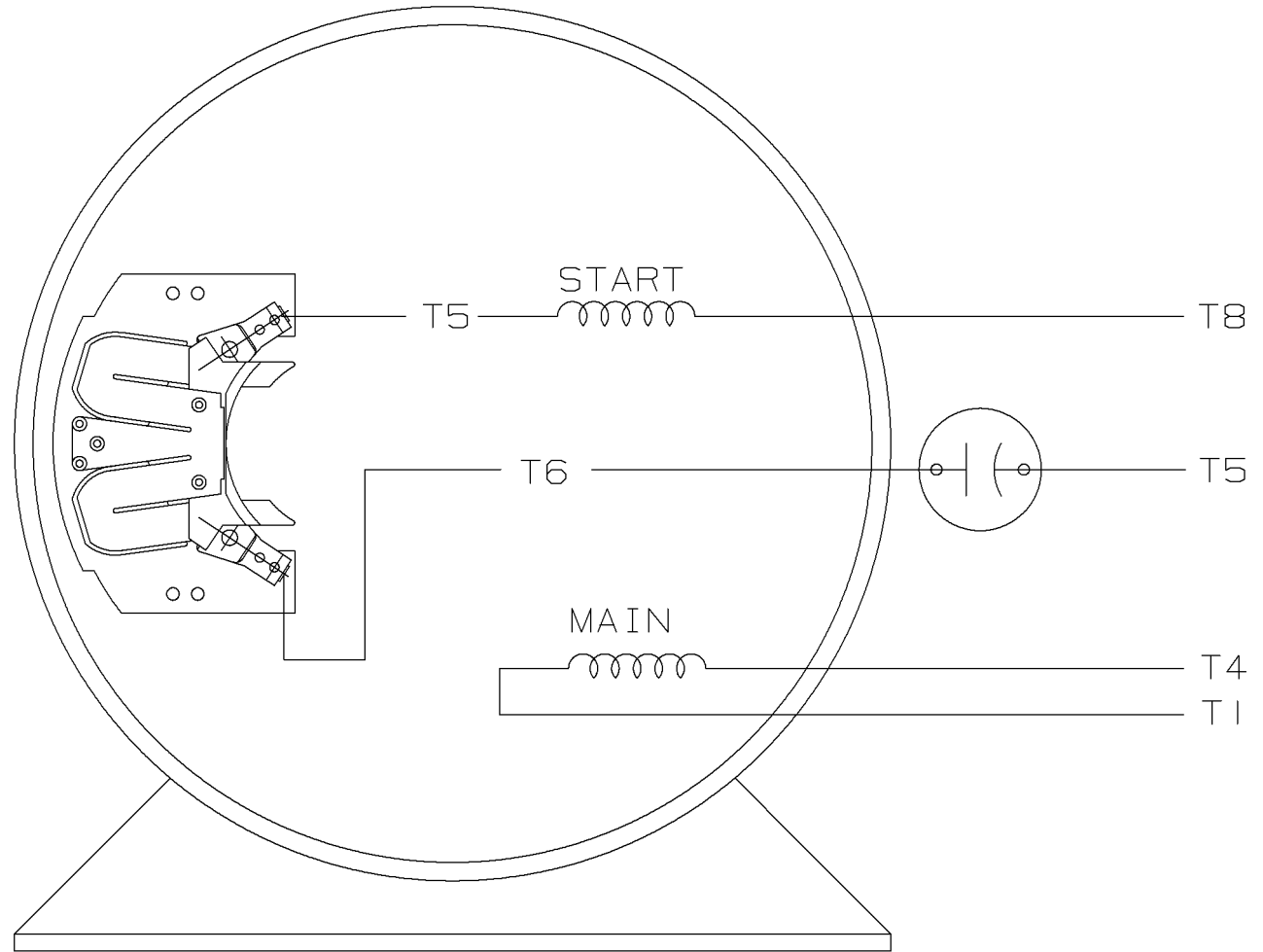
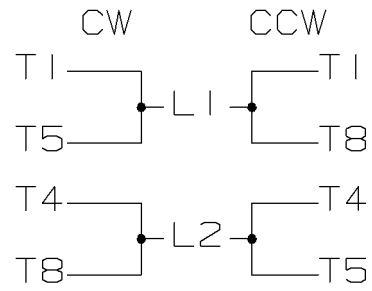
DASH	FR.	C	AG
965	213JM	18.42	14.17
1115	213/15JM	19.92	15.67
1240	213/15JM	21.17	16.92

ORACLE REV 001

NOTES:
1. NAMEPLATE TO BE READ FROM C'BOX SIDE OF MOTOR.

		TOLERANCES UNLESS SPECIFIED		MARATHON ELECTRIC		DRAWN GRB 11/14/08	
		DEC.	INCHES			CHK	SK 11/14/08
		.X	$\pm .1$			APPD	
		.XX	$\pm .03$	TITLE OUTLINE - 210JM FR. DP - 'C' FACE		SCALE 1=4.2	
		.XXX	$\pm .005$			REF SS86664	
F	ADDED "AJ" DIM OF 7.250 ECO 0083886	GWS	8/21/15	.XXXX	$\pm .0005$	MAT'L.	
NO.	REVISION	BY & DATE	CHK	ANG	$\pm 7'30"$	FINISH	
THIS DRAWING IN DESIGN AND DETAIL IS OUR PROPERTY AND MUST NOT BE USED EXCEPT IN CONNECTION WITH OUR WORK ALL RIGHTS OF DESIGN AND INVENTION ARE RESERVED THIS IS AN ELECTRONICALLY GENERATED DOCUMENT - DO NOT SCALE THIS PRINT				RFP	CAD FILE 037643	SIZE	DRAWING NO. PAGE 1 OF 1 REV.
				DIST	LB	A	037643 F

SINGLE VOLTAGE CAPACITOR START MOTOR, ELECTRICALLY REVERSIBLE



VIEW OF TERMINAL END

				✓ MAX. SURFACE ROUGHNESS UNLESS NOTED OTHERWISE	UNLESS OTHERWISE SPECIFIED DIMENSIONS ARE IN INCHES TOL. ON XX±.02 XXX±.005 XXXX±.0005 ANGLES± 7'30"		
				MATL SPEC			DRAWN BY GK 01-10-1987
				FINISH			CHKD BY
				REFERENCE DRW.			WAUSAU, WISCONSIN 54401
1	01-10-1987	NEW DRAWING	CN-7664C	GK	PART NAME CONNECTION DIAGRAM		DRWG NO A-EE7090JR

SHOP BOOK

PURCHASED

DISTRIBUTION - WA - LB - WP - LM - BR

CADD FILE NO.

EE7090JR

ERROR: syntaxerror
OFFENDING COMMAND: --nostringval--

STACK:

214 /Otilde
213 /Ocircumflex
212 /Oacute
211 /Ograve
210 /Ntilde
209 /Eth
208 /Idieresis
207 /Icircumflex
206 /Iacute
205 /Igrave
204 /Edieresis
203 /Ecircumflex
202 /Eacute
201 /Egrave
200 /Ccedilla
199 /AE
198 /Aring
197 /Adieresis
196 /Atilde
195 /Acircumflex
194 /Aacute
193 /Agrave
192 /questiondown
191 /threequarters
190 /onehalf
189 /onequarter
188 /guillemotright
187 /ordmasculine
186 /onesuperior
185 /cedilla
184 /periodcentered
183 /paragraph
182 /mu
181 /acute

